



57mm Series 2 Phase

Step angle accuracy	5%
Temperature	80°C Max
Ambient temperature	-20°C~+50°C
Insulation resistance	100MΩ Min 500VDC
Voltage endurance	500V AC 1minute
Shaft radial deviation	Max 0.02mm (450g)
Shaft axial deviation	Max 0.08mm (450g)

Typical Application:

Product Details

Data Sheet

Dimension

Encoder Connection

Motor Connection

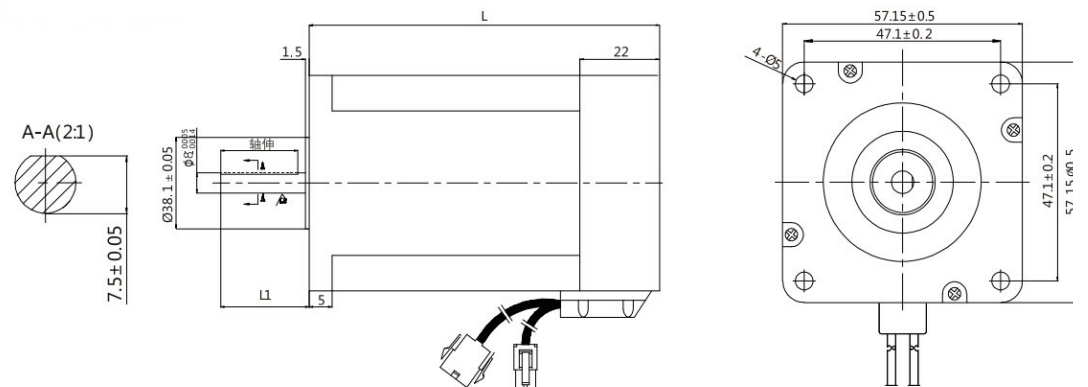
Package Product

Download

Data Sheet

型号	步距角	额定电压	电机总长度	保持转矩	额定电流	相电阻	相电感	转子惯量	电机
Model	Step Angle (°)	Voltage (V)	Length L(mm)	Holding torque (N.m)	Current (A/phase)	Resistance (Ω)	Inductance (mH)	Rotor inertia (g.cm ²)	Wei (k)
YK257EC56E1	1.8	2.15	78	1.2	5.0	0.43	1.8	280	0
YK257EC76E1	1.8	2.15	98	2.0	5.0	0.4	1.8	480	1.
YK257EC56E1-KZ01	1.8	2.15	78	1.2	5.0	0.43	1.8	300	0
YK257EC76E1-KZ01	1.8	2.15	98	2.0	5.0	0.43	1.8	500	1
YK257EC80E1-KZ01	1.8	2.15	102	2.2	5.0	0.43	1.8	520	1
YK257EH76E1	~	2.15	98	1.5	5.0	0.44	2.4	480	1

Dimension

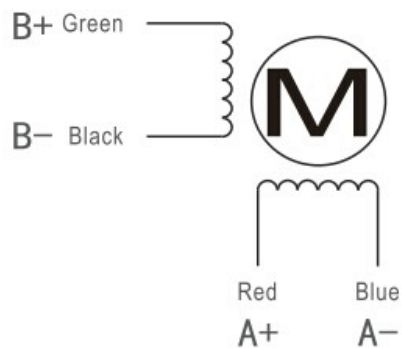


Model	Shaft Diameter	Shaft Extension	Shaft Length
YK25 7EC56E1	8	0.5X15	21
YK25 7EC76E1	8	0.5X15	21
YK257EC56E 1-KZ01	8	0.5X25	30
YK257EC76E 1-KZ01	8	0.5X25	30
YK257EC80E 1-KZ01	8	0.5X25	30
YK25 7EH7 6E1	8	0.5X15	21

Encoder Connection

Black	EGND
Blue/White	E A -
Yellow/White	E B -
Red	+5 VCC
Blue	E A +
Yellow	E B +


Motor Connection



Package Product



 [Download](#)

file	Explanation	Down
		

About Us

Why YAKO
 CEO Speech
 YAKO Culture
 Milestone
 Structure

News & Events

YAKO News
 Exhibition
 Industry News

Products

Stepper
 Model Selection List
 Close-Loop
 Servo-Stepper
 AC Servo
 Motion Control

Support

Download
 Sales Network

Recruitment

HR Concept

Hot Line

Tel: 008675526037414
 Hot Line: +86-400-033-0069
 Head Office: B3 Building, Guangming
 Technology & Science Park,
 New Guangming District,
 Shenzhen, China.
 R&D Center: Languang Technology &
 Science Park, Nanshan District,
 Shenzhen, China.