



### 42mm Series 2 Phase

Step angle accuracy	5%
Temperature	80°C Max
Ambient temperature	-20°C~+50°C
Insulation resistance	100MΩ Min 500VDC
Voltage endurance	500V AC 1minute
Shaft radial deviation	Max 0.02mm (450g)
Shaft axial deviation	Max 0.08mm (450g)

#### Typical Application:

#### Product Details

[Data Sheet](#)

[Dimension](#)

[Encoder Connection](#)

[Motor Connection](#)

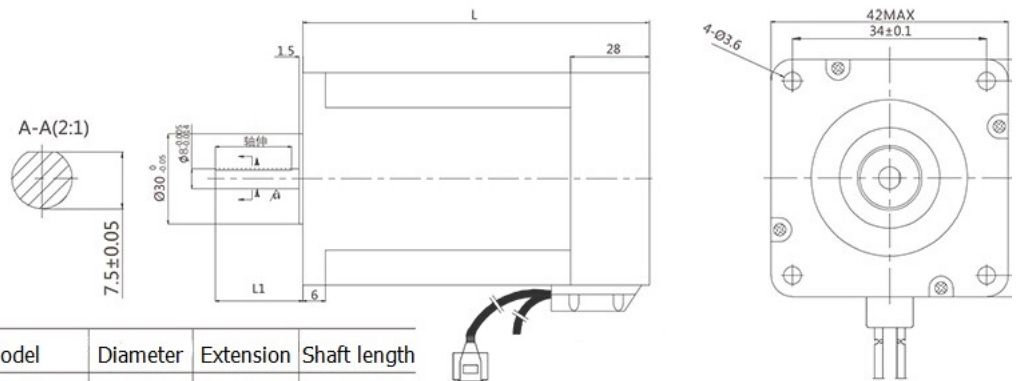
[Package Product](#)

[Download](#)

#### Data Sheet

型号	步距角	额定电压	电机总长度	保持转矩	额定电流	相电阻	相电感	转子惯量	电机重量
Model	Step Angle (°)	Voltage (V)	Length L(mm)	Holding torque (N.m)	Current (A/phase)	Resistance (Ω)	Inductance (mH)	Rotor inertia (g.cm <sup>2</sup> )	Weight (kg)
YK242EC51E1	1.8	2.5	79	0.5	2.3	1.0	1.9	77	0.077
YK242EC67E1	1.8	3	95	0.7	2.3	1.4	3.1	115	0.115

#### Dimension

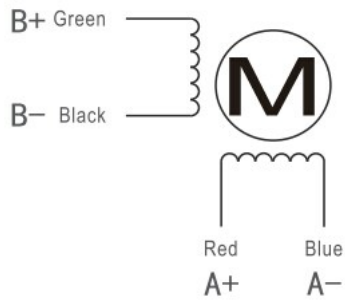


Model	Diameter	Extension	Shaft length
YK242EC51E1	8	0.5x15	21
YK242EC67E1	8	0.5x15	21

#### Encoder Connection

Black	EGND
Blue/White	EA -
Yellow/White	EB -
Red	+5 VCC
Blue	EA +
Yellow	EB +

 Motor Connection




 Package Product



SSD2505M

 Download

file	Explanation	Down
		

**About Us**

- Why YAKO
- CEO Speech
- YAKO Culture

**News & Events**

- YAKO News
- Exhibition
- Industry News

**Products**

- Stepper
- Model Selection List
- Close-Loop

**Support**

- Download
- Sales Network

**Recruitment**

- HR Concept

**Hot Line**

- Tel: 008675526037414
- Hot Line: +86-400-033-0069
- Head Office: B3 Building, Guangming

9/19/2020

## 42mm Series 2 Phase Close-Loop Motor

Milestone	Servo-Stepper	Technology & Science Park, New Guangming District, Shenzhen, China.
Structure	AC Servo	R&D Center: Languang Technology & Science Park, Nanshan District, Shenzhen, China.
	Motion Control	

[Legal Notices](#) | [Privacy Protection](#) | [Contact Us](#)

Copyright © 2017 Shenzhen YAKO Automation Technology Co., Ltd